

# L&L LOUVERS INC.

12355 DOHERTY STREET  
 RIVERSIDE, CA. 92503  
 (951) 735-9300 FAX:(951)735-4628  
 E-MAIL: info@louver1.com

## SU-50

Inverted "U" Blade  
 Non-Vision

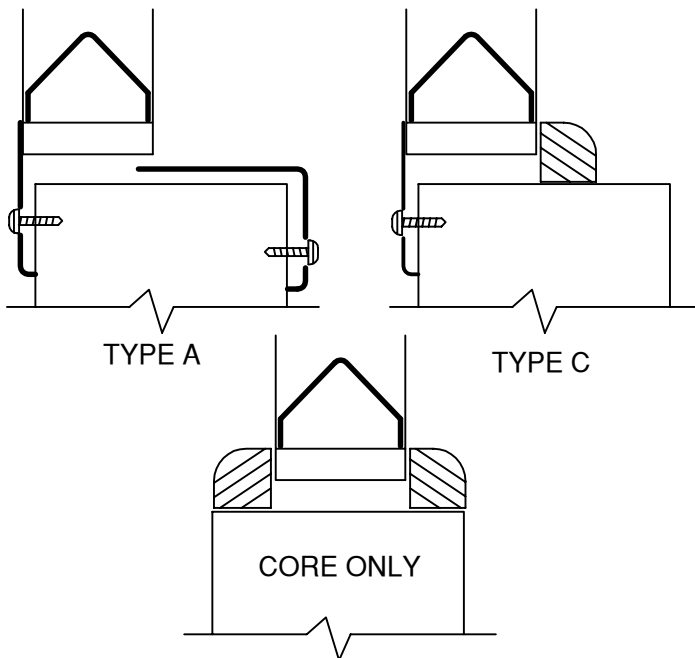
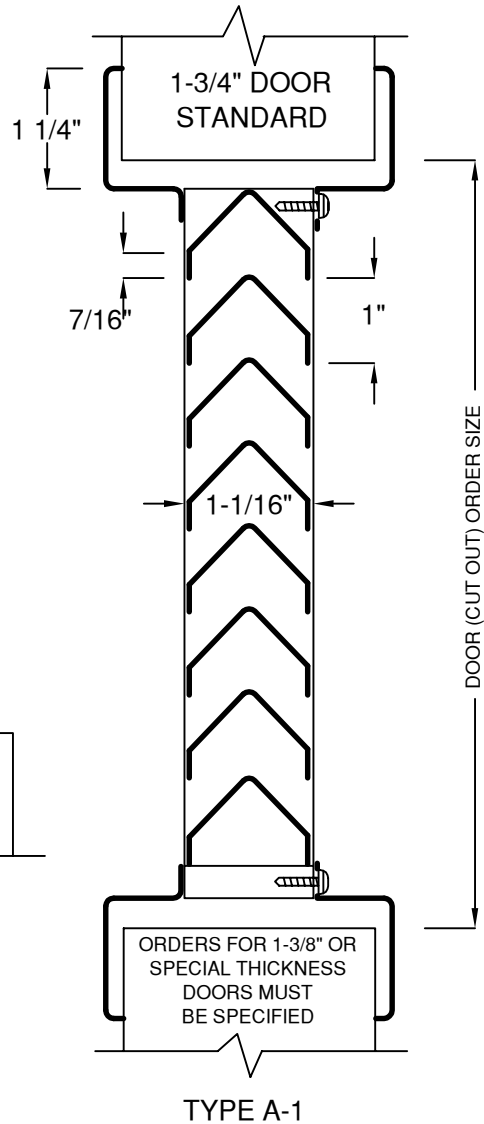
NON-VISION DESIGN RECOMMENDED FOR  
 SCHOOLS, CLASS "A" AND INSTITUTIONAL  
 BUILDINGS.  
 SUITABLE FOR BOTH WOOD AND METAL DOORS.

MANUFACTURED FROM 18 GA JETKOTE.  
 SUPPLIED WITH # 8-3/4" PHILLIPS (PAN HEAD)  
 SHEET METAL SCREWS.

IF SCREEN REQUIRED;  
 SURFACE MOUNTED (ON JOB.)

STANDARD FINISH: POWDER COATED, DARK  
 BRONZE.  
 ALSO AVAILABLE IN GREY PRIME COAT,  
 WHITE, BLACK OR BEIGE AT NO UPCHARGE.

LOUVER HEIGHT MUST BE ORDERED IN WHOLE  
 INCHES ONLY - NO FRACTIONS



PROJECT:		
LOCATION:		
ARCHITECT:		
CONTRACTOR:		
CUSTOMER:		DATE: