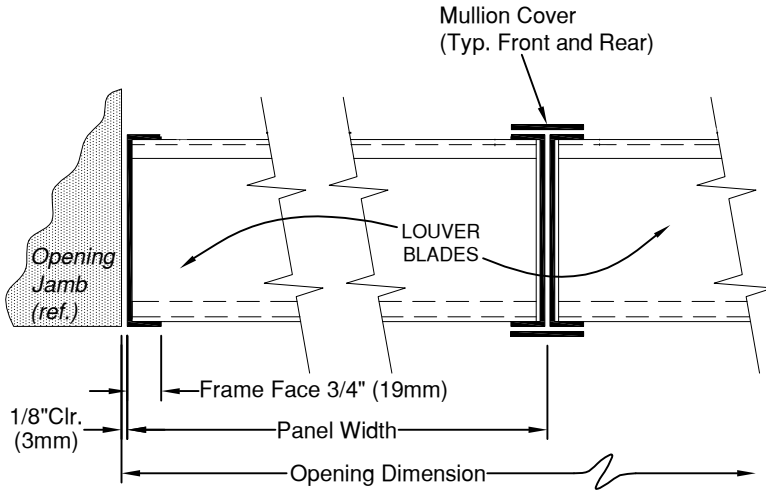


# L&L LOUVERS INC.

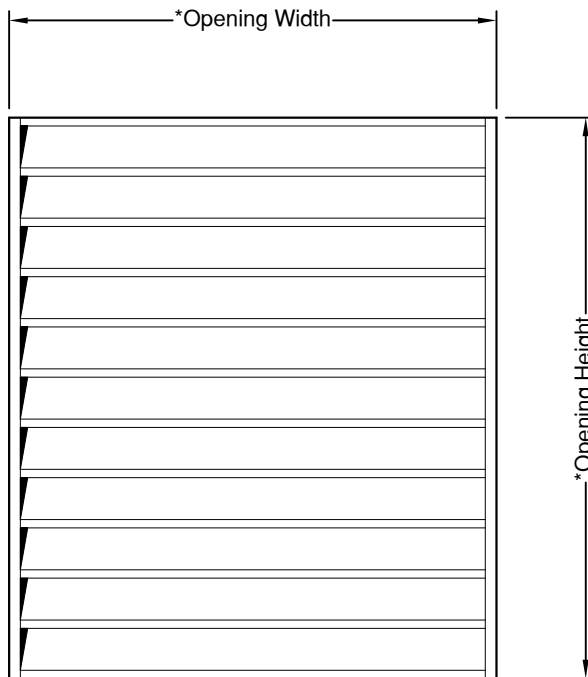
12355 DOHERTY STREET  
 RIVERSIDE, CA. 92503  
 (951) 735-9300 FAX:(951)735-4628  
 E-MAIL: info@louver1.com

# MODEL FG-4004

FORMED STEEL LOUVER  
 4" Standard 45° Blade

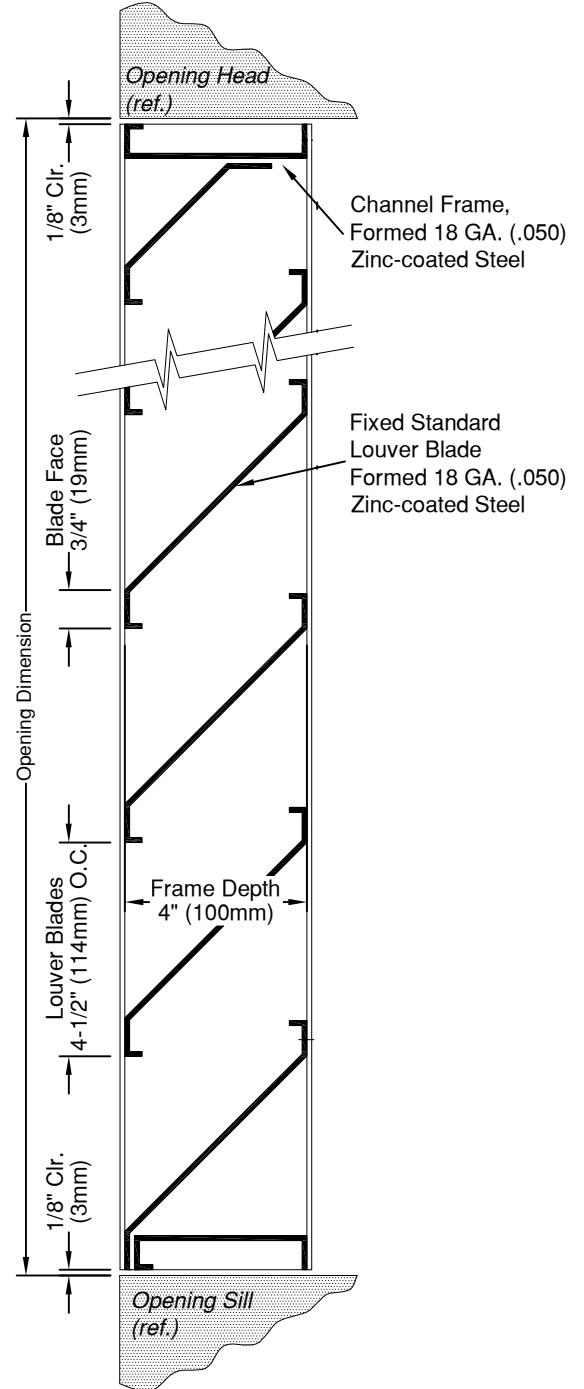


**TYPICAL HORIZONTAL SECTION**



\*Actual net louver size will be 1/4" under Opening Dimensions.

**FRONT ELEVATION**



**TYPICAL VERTICAL SECTION**

PROJECT:	
LOCATION:	
ARCHITECT:	
CONTRACTOR:	
CUSTOMER:	
	DATE:

